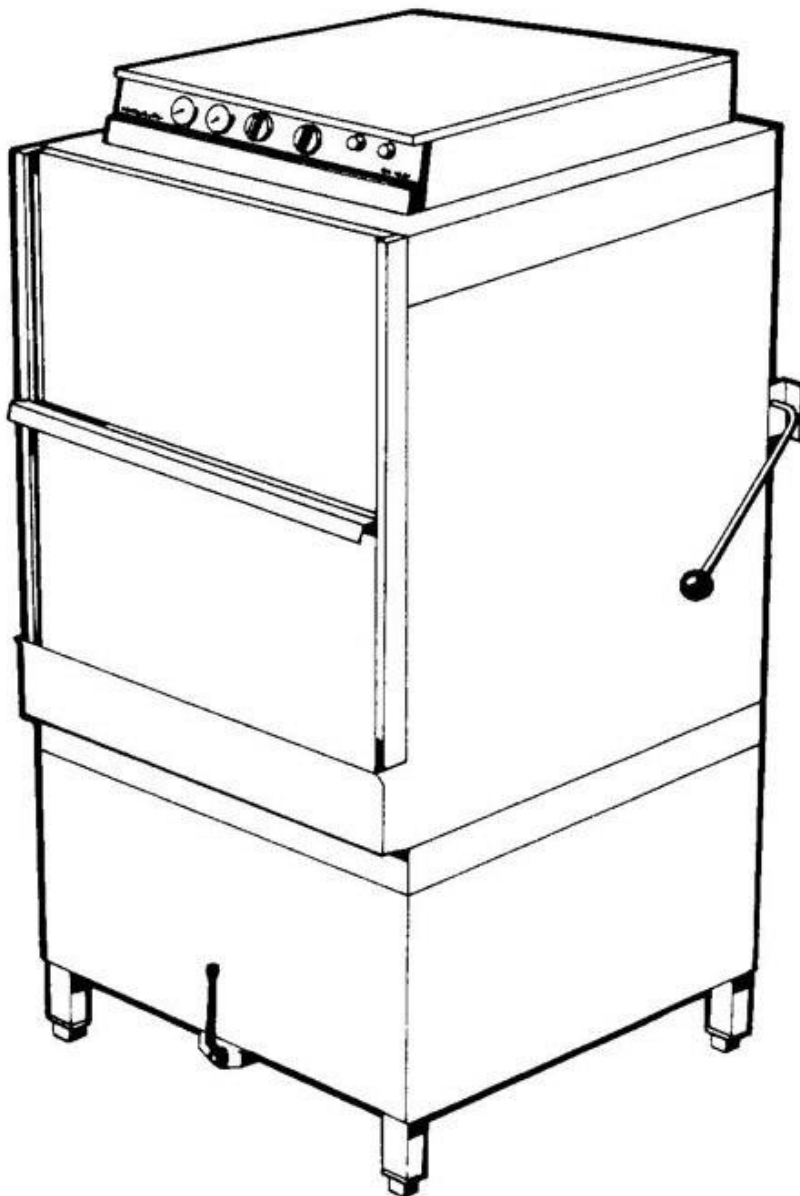


winterhalter

Spare Parts List GR 1321

Edited 11/94
Revised 10/08

Part no. 89001249



Summary

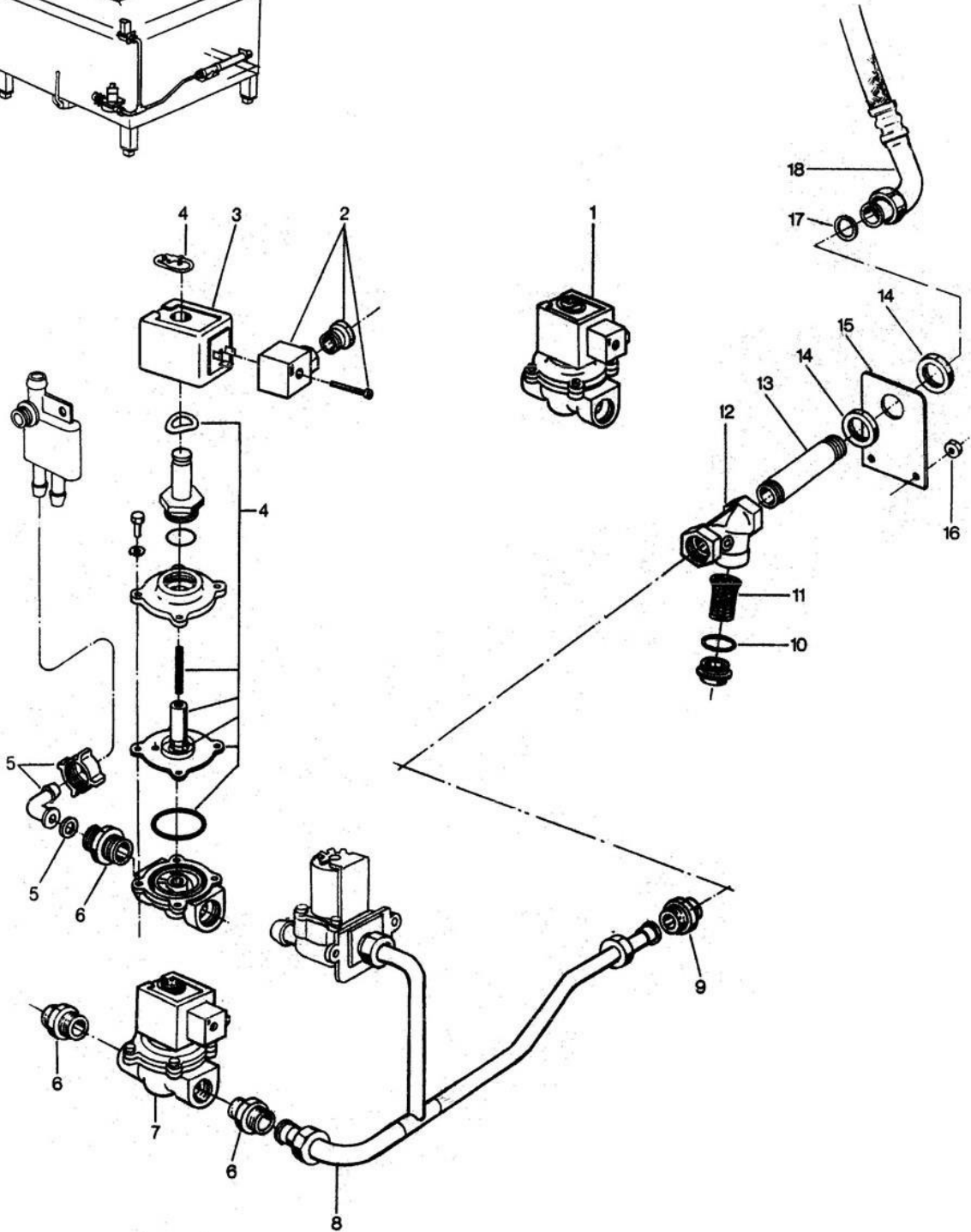
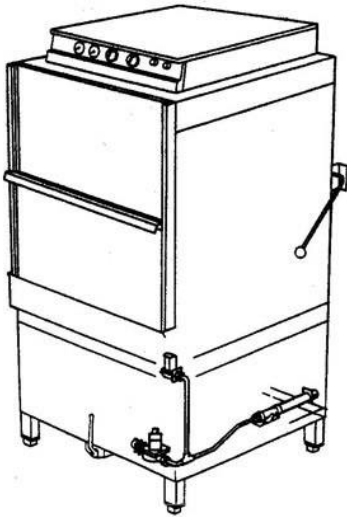
Water supply	Page 1 and 2
Water inlet, tank heating	Page 3 and 4
Water drain I	Page 5 and 6
Water drain II	Page 7 and 8
Wash system I	Page 9 and 10
Lower wash system II	Page 11 and 12
Upper wash system III	Page 13 and 14
Rinsing I	Page 15 and 16
Rinsing II	Page 17 and 18
Dosing	Page 19 and 20
Door	Page 21 and 22
Door limit switch	Page 23 and 24
Base frame, container, panel	Page 25 and 26
Electrical parts I	Page 27 and 28
Electrical parts II	Page 29 and 30
Electrical parts III	Page 31 and 32

Racks and accessories see separate list.

Parts that have the note " Part made to order only!" are not in stock. This parts are made specially for your order and have a delivery time. They are not returnable.

GR 1321

Wasserzulauf
Water supply
Alimentation d'eau



GR 1321

Water supply

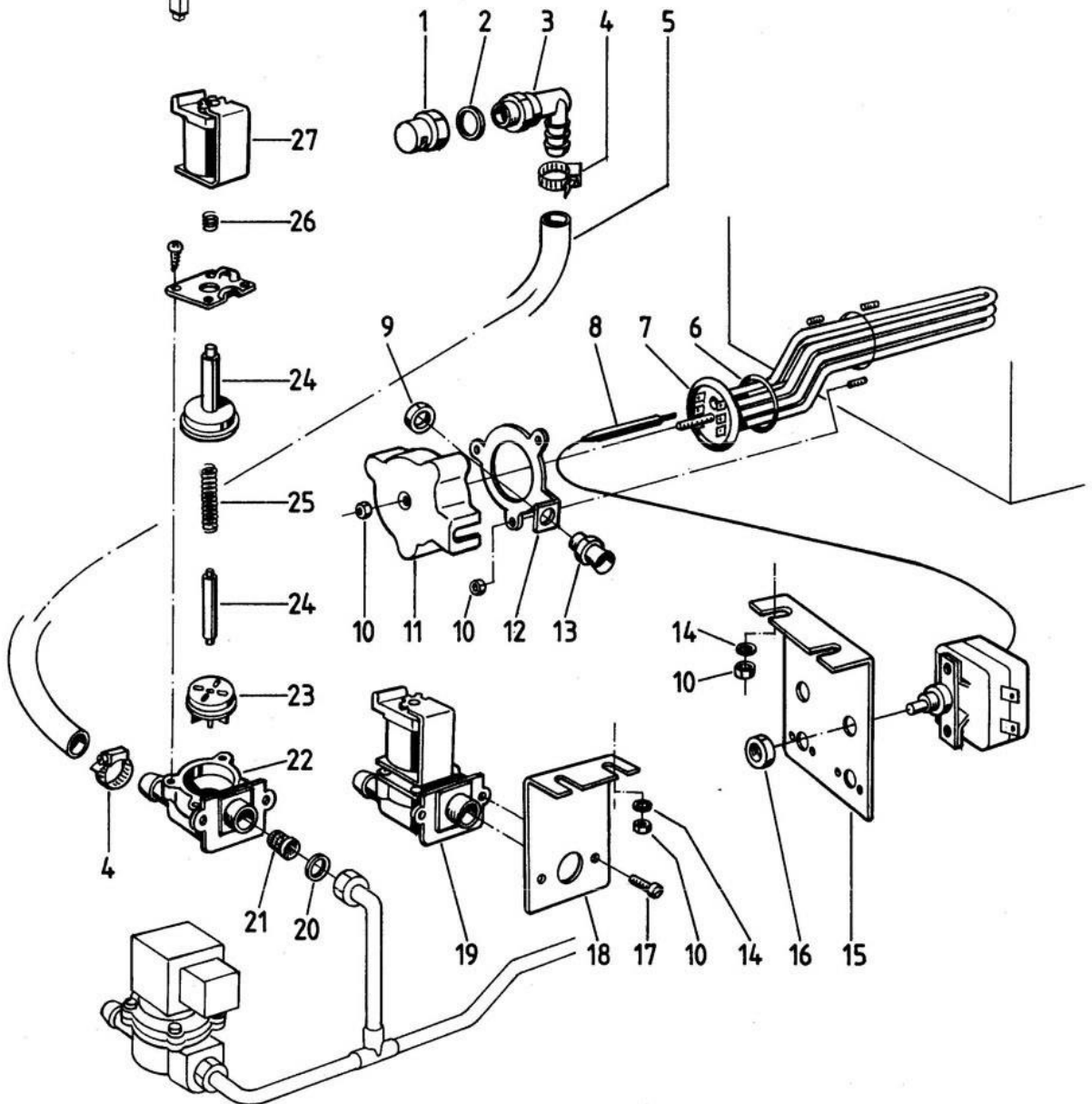
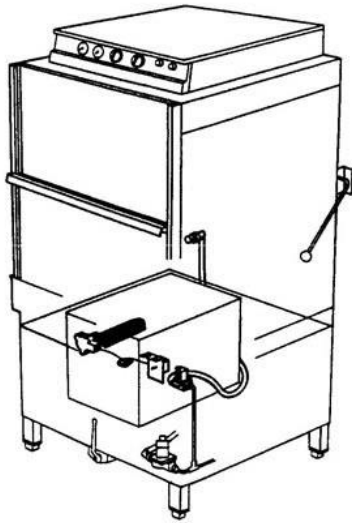
Pos.	Designation	Part no.	Pc.	Notes
1	Solenoid valve 3/4" BSP, 230 V 50 Hz	31 06 089		until mach. no. 201 379
n.p.	Double nipple 3/4" BSP	30 11 207		
2	Connector plug	31 06 082		for pos. 1 and 9
3	Coil 230 V 50 Hz – 60 hZ	31 06 083		
n.p.	Coil 230 V 60 Hz	31 06 111		
4	Repair kit	31 06 115		
5	Angle screwing 3/4" BSP x 18	29 06 515		
6	Reducing nipple 3/4" BSP x 1/2" BSP	61003430	2	as from mach. no. 201 380 (boiler)
7	Solenoid valve 1/2" BSP, 230 V 50 Hz	31 06 080		
8	Feed pipe cpl.	55 05 031		
9	Double nipple 3/4" BSP	30 11 207	2	until mach. no. 201 379
10	Seal \varnothing 34 x \varnothing 27 x 2	27 09 025		
11	Filter for dirt trap	28 07 201		
12	Dirt trap 3/4" BSP	28 07 101		
13	Running nipple 3/4" BSP x 155	65000224		
14	Locking nut 3/4" BSP x 5	61002626	2	
15	Retaining plate for water supply	65000149		Spezial design
16	Hexagon nut M 6	21 05 304		self-securing
17	Seal \varnothing 24 x \varnothing 17 x 2	29 09 009		
18	Metal hose \varnothing 15 x 1500, 3/4" BSP	29 01 316		
Steam valves on request				

GR 1321

Wassereinlauf, Tankheizung

Water inlet, tank heating

Arrivée d'eau, chauffage de la cuve



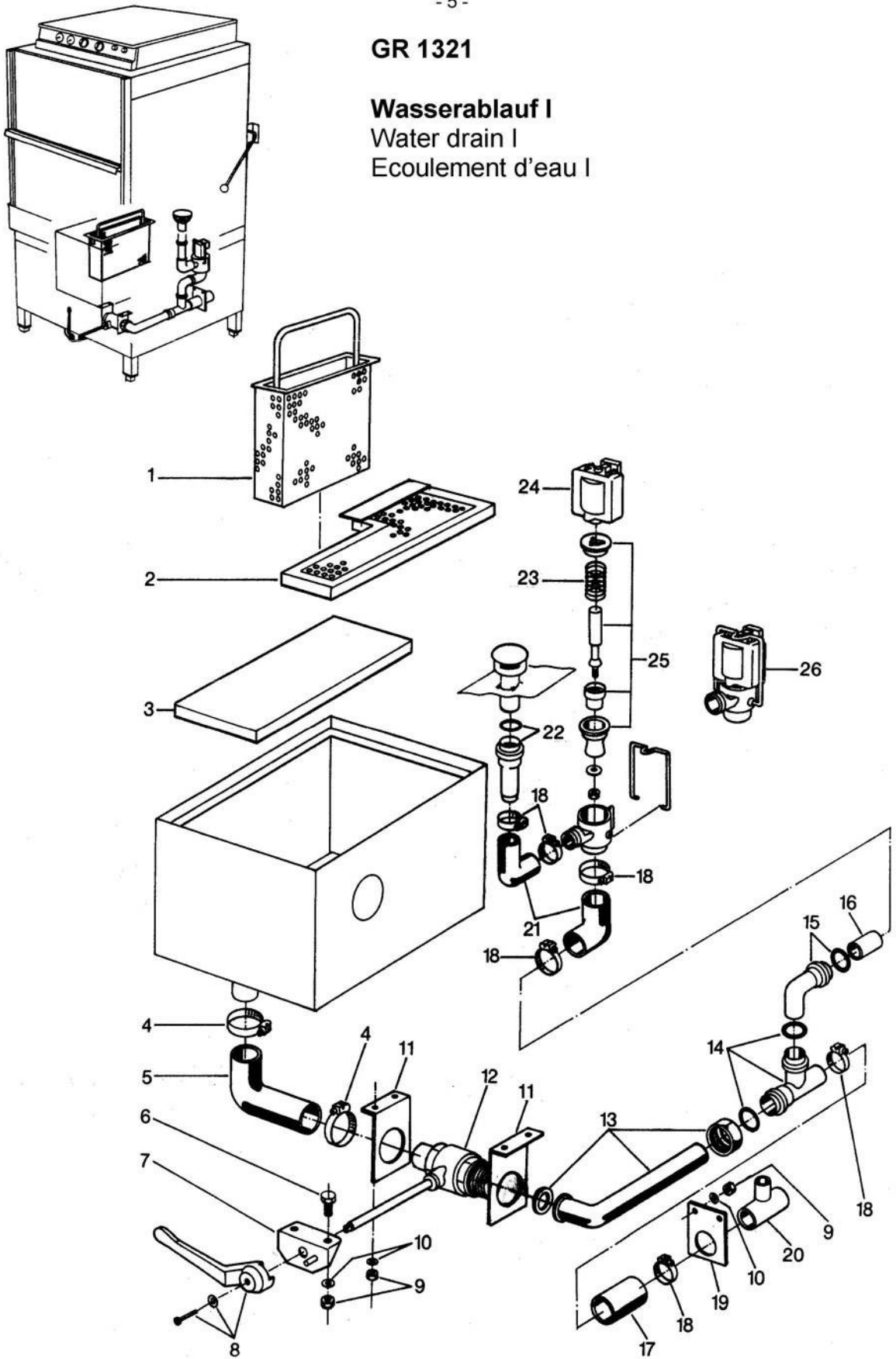
GR 1321

Water inlet, tank heating

Pos.	Designation	Part no.	Pc.	Notes
1	O-Ring	27 07 031		55 31 007
	Thrust- ring	62 002943		
2	Seal \varnothing 28 x \varnothing 21 x 2	27 09 011		
3	Connection 1/2" BSP x 14,5	35 01 156		
4	Hose clip \varnothing 14 - \varnothing 24	28 02 108		
5	Hose \varnothing 13,5 x 3,5 x 1800	40 02 002		per metre
6	O-ring \varnothing 46 x 6	27 07 015		
7	Heating element cranked 3x230/400 V 6 kW	31 03 017		
n.p.	Heating element cranked 240/420 V 6 kW	31 03 043		
8	Safety thermostat	31 25 030	2	as from mach. no. 214 501
9	Hexagon nut PG 13,5	31 10 041		
10	Hexagon nut M 5	21 05 302		
11	Cover for heating element	31 03 014		
12	Clamping plate cpl.	55 19 018		
13	Cable gland PG 13,5	31 10 040		
14	Washer \varnothing 5,3	22 01 300		
15	Thermostat support	65002459		
16	Hexagon nut M 8	21 05 306	2	self-securing
17	Pan head screw M 4x8	20 10 210	2	
18	Solenoid valve support	65000116		Part made to order only!
19	Solenoid valve 220-240 V, 50-60 Hz	31 06 044		tank
20	Seal \varnothing 24 x \varnothing 17 x 2	27 09 009		
21	Dirt sieve red	31 06 118		
22	Bottom part for solenoid valve			no more available replaced by Pos. 19
23	Diaphragm			
24	Plunger with bush			
25	Spring			
26	Spring			
27	Coil 220/240 V, 50/60 Hz			

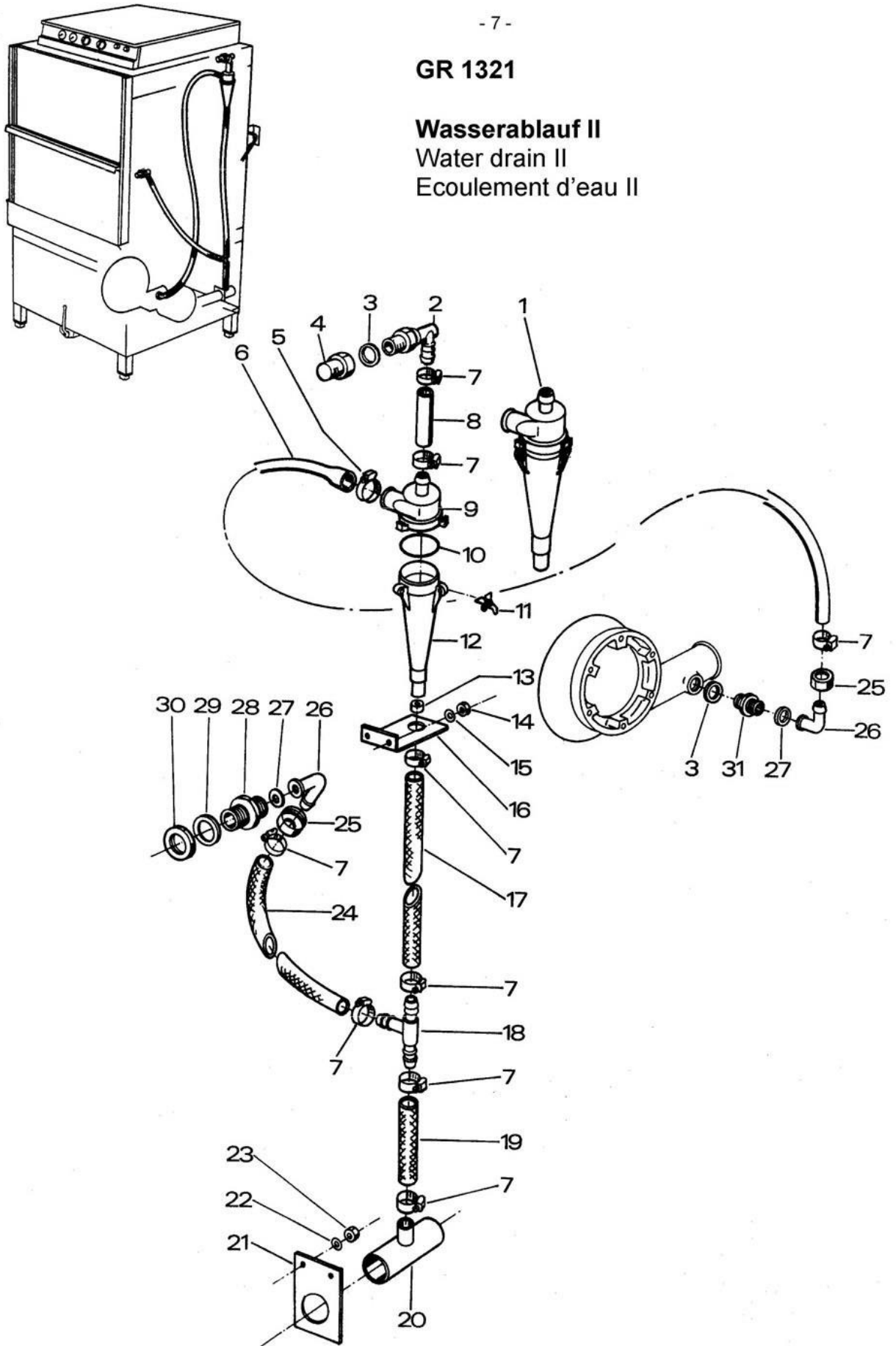
GR 1321

Wasserablauf I Water drain I Ecoulement d'eau I



GR 1321

Wasserablauf II
Water drain II
Ecoulement d'eau II



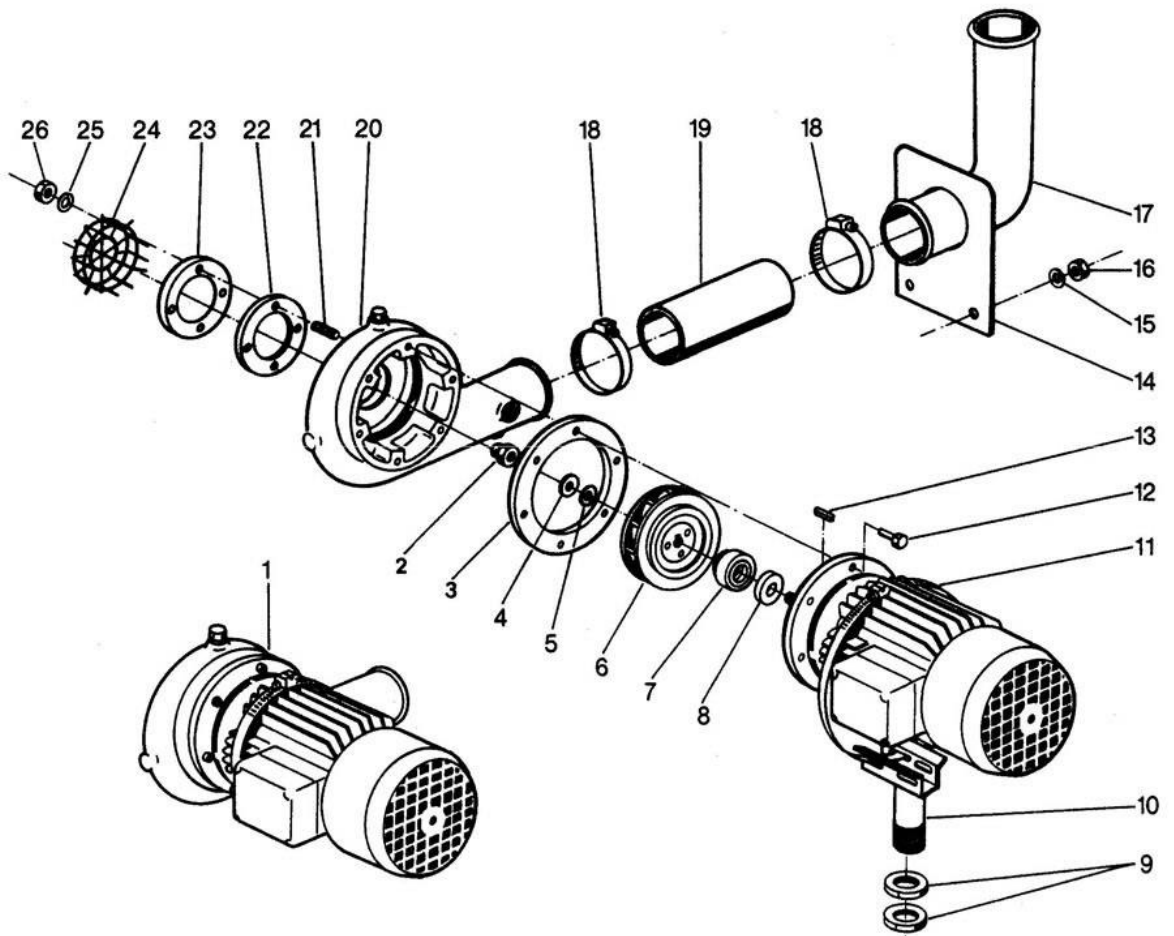
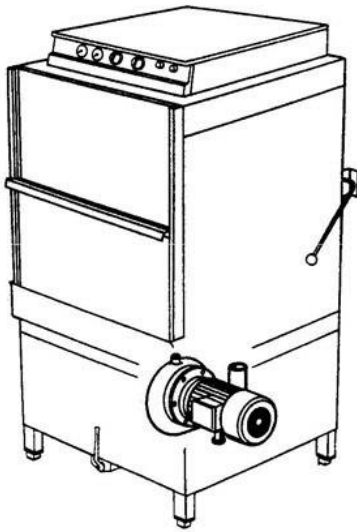
GR 1321

Water drain II

Pos.	Designation	Part no.	Pc.	Notes
1	Mediamat cpl.	55 27 040		
2	Mediamat connection 1/2" BSP	55 31 001		consist of Pos. 2, 3, 4
3	O- Ring	27 07 031		for new model
o.P.	Thrust ring	62 002943		for new model
o.P.	Seal \varnothing 28 x \varnothing 21 x 2	27 09 011		for old model
4	Water inlet	61 005339		for new model
5	Hose clip \varnothing 32 - \varnothing 52	28 02 110		
6	Reducing hose \varnothing 30/16 x 5 x 1300	40 03 036		
7	Hose clip \varnothing 20 - \varnothing 30	28 02 109	8	
8	Hose \varnothing 16 x 4 x 60	40 01 015		per metre
9	Head piece inlet	35 01 124		
10	O-ring \varnothing 51 x 3	27 07 043		
11	End piece locking	28 04 041	4	
12	Accelerator	35 01 035		
13	Insert for Mediamat	35 01 123		
14	Hexagon nut M 4	21 01 302		
15	Washer \varnothing 4,3	22 02 202		
16	Supporting angle for Mediamat	61000658		
17	Fabric hose 19 x 4 x 960	40 01 016		per metre
18	T-hose socket \varnothing 19	29 06 512		
19	Fabric hose 19 x 4 x 70	40 01 016		per metre
20	Mediamat drain cpl.	65000114		
21	Supporting plate for drain	65000141		spezial design
22	Spring washer B 6	23 03 300		
23	Hexagon nut M 6	21 01 304		
24	Fabric hose 19 x 4 x 810	40 01 016		per metre
25	Cap nut 3/4" BSP x \varnothing 21 x 14	29 07 203	2	
26	Mediamat connection elbow	29 06 524	2	
27	Seal \varnothing 24 x \varnothing 19,5 x 1,5	27 09 010		
28	Double nipple for overflow cpl. 3/4" BSP x 3/4" BSP x 34	55 04 031		
29	Seal \varnothing 42 x \varnothing 27 x 2	27 09 003		
30	Locking nut narrow 3/4" BSP x 5	61002626		
31	Mediamat connection nipple. 1/2" BSP x 3/4" BSP x 32	30 11 502		

GR 1321

Waschsystem I
Wash system I
Système de lavage



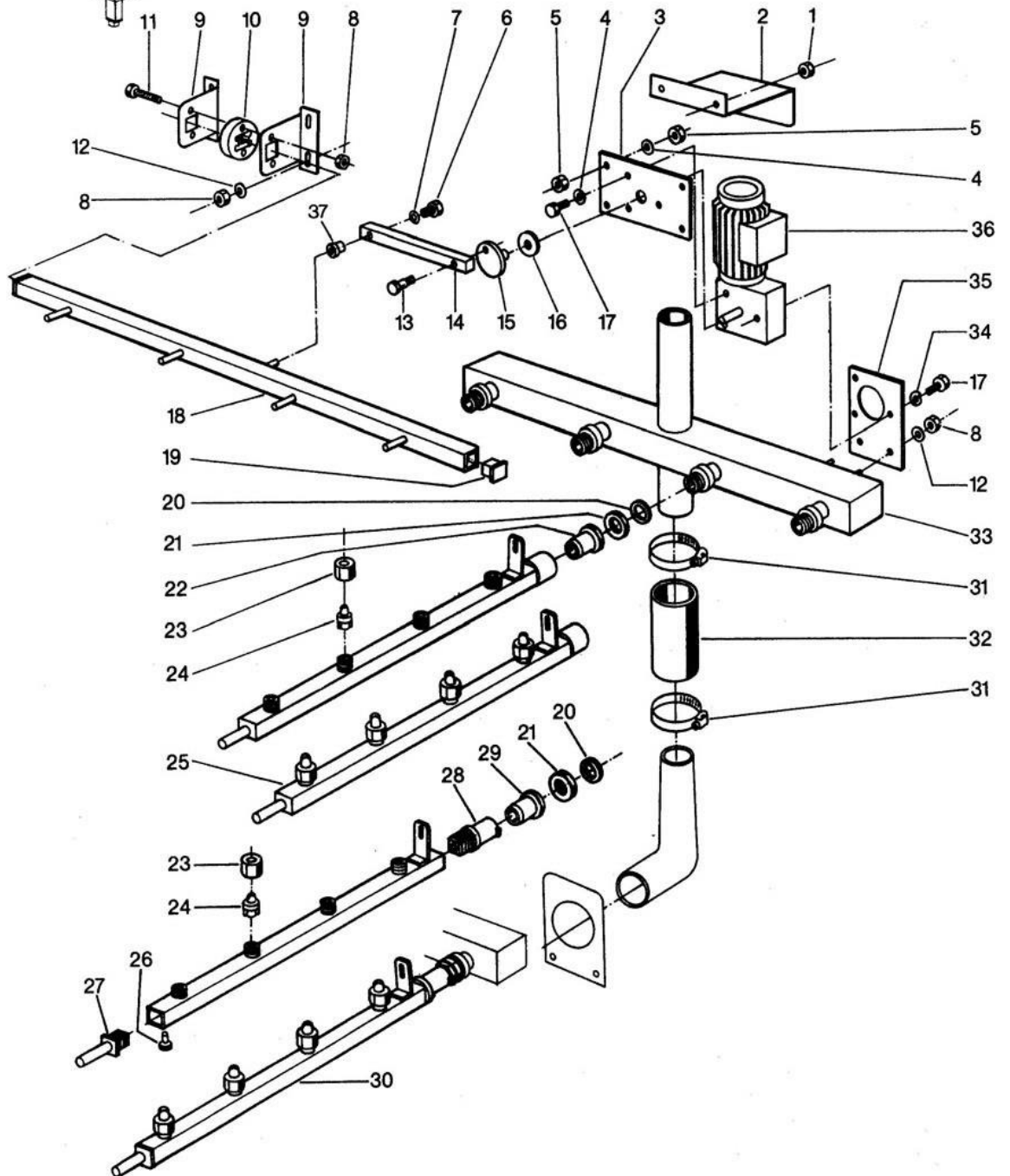
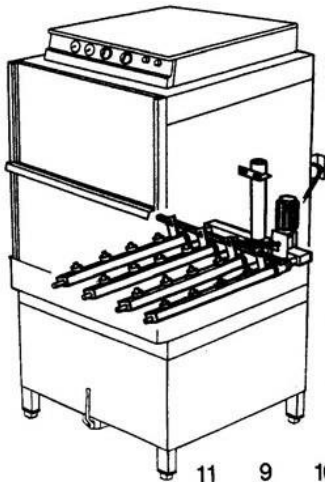
GR 1321

Wash system I pump

Pos.	Designation	Part no.	Pc.	Notes
1	Pump cpl. 3,7 kW 220/380 V 50 Hz	55 14 049		
n.p.	Pump cpl. 3,7 kW 240/420 V 50 Hz	55 14 049		
n.p.	Pump cpl. 3,7 kW 220/380 V 60 Hz	55 14 122		
2	Cap nut M 10	21 10 306		self-securing
3	Seal \varnothing 190 x \varnothing 143 x 1,0	27 09 037		
4	Washer \varnothing 10,5	22 01 206		
5	Seal M 10	22 08 506		
6	Pump impeller \varnothing 140 x 45, 50 Hz	35 01 181		
n.p.	Pump impeller \varnothing 128 x 45, 60 Hz	55 14 141		
7	Motor shaft seal			Sealing kit: 80002672 incl.Pos.3; 4; 5; 7; 8;
8	Seating ring			
n.p.	Fitting disk \varnothing 30 x \varnothing 42 x 0,5	22 04 001		for pos. 8
9	Locking nut 3/4" BSP	61002626		
10	Motor support cpl.	65000118		Part made to order only!
11	Hose clip \varnothing 167 - 187	28 02 124		
12	Hexagon bolt M 6 x 18	20 01 014		Part made to order only!
13	Feather key 4 x 4 x 12	26 10 002		
14	Supporting plate for pump elbow	65000207		Part made to order only!
15	Washer \varnothing 6,4	22 01 302		
16	Hexagon nut M 6	21 01 304		
17	Reduction elbow cpl.	55 06 051		
18	Hose clip \varnothing 62 - \varnothing 82	28 02 120	2	
19	Pump hose \varnothing 60 x 8 x 200 lg.	40 02 007		per metre
20	Pump housing	55 14 139		
21	Grub-screw M 8 x 30	20 30 307	4	
22	Seal \varnothing 100 x \varnothing 65 x 2	27 09 024		
23	Sieve plate	65000208		
24	Suction filter	55 13 123		
25	Washer \varnothing 8,4	22 01 303		
26	Hexagon nut M 8	21 01 305		
n.p.	Fan cover	31 01 143		
n.p.	Fan wheel	31 01 142		

GR 1321

Waschsystem II unten Bottom wash system II Système de lavage inférieur II



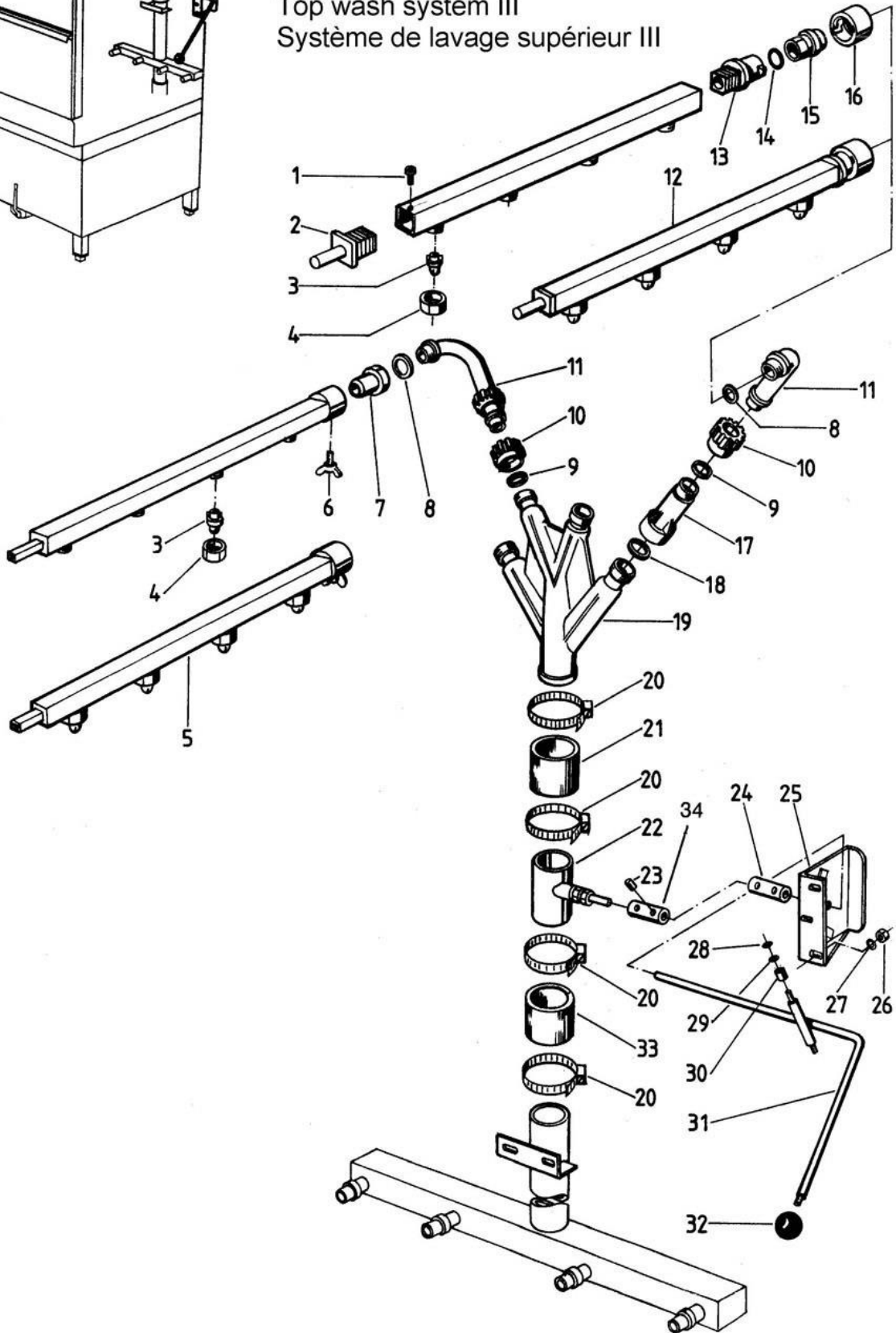
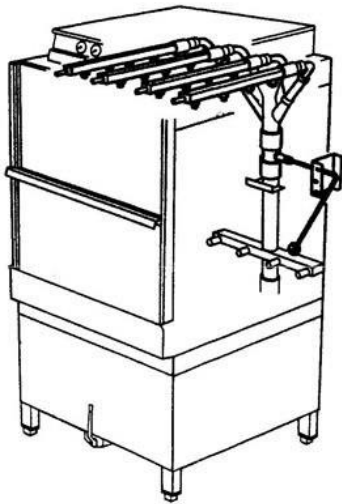
GR 1321

Lower wash system II

Pos.	Designation	Part no.	Pc.	Notes
1	Hexagon nut M 4	21 05 300		self-securing
2	Cover for gear motor	65000244		
3	Adjusting plate	65000239		Part made to order only!
4	Washer \varnothing 8,4	22 01 303		
5	Hexagon nut M 8	21 01 305		
6	Hexagon bolt M 5 x 10	20 01 300		
7	Washer \varnothing 5,3	22 01 300		
8	Hexagon nut M 6	21 01 304		
9	Support for connecting rod	65000238	2	Part made to order only!
10	Sliding block for connecting rod	35 01 211		
11	Hexagon bolt M 6 x 30	20 01 307		
12	Washer \varnothing 6,4	22 01 302		
13	Crank pin SW 17 x 34	55 08 035		
14	Connecting plate 15 x 20 x 200	55 08 034		
15	Eccentric pulley \varnothing 70 x 37	55 08 036		
16	Shaft gasket	27 08 003		
17	Hexagon bolt M 8 x 16	20 01 302		
18	Connecting rod cpl.	65000237		
19	Plug	35 03 016	2	
20	Seal \varnothing 34 x \varnothing 27 x 2	27 09 025	4	
21	Locking nut 3/4" BSP x 5	61002626	4	
22	Bush SW 36 x 40; 3/4" BSP	35 01 177	4	until mach. no. 200 846
23	Cap nut for wash jet 1/2" BSP	29 10 532	16	
24	Wash jet with slot	29 10 511	16	
25	Bottom wash arm cpl.	65000607	4	until mach. no. 200 846
26	Sheet-metal screw B 2,9 x 6,5	20 20 308		
27	Guide piece 30 x 30 x 73,5	65002080	4	as from mach. Nr. 201 269
28	Wash arm head \varnothing 44 x 69	65002079	4	
29	Bush SW 36 x 40	65002085	4	
30	Bottom wash arm cpl.	65002263	4	
31	Hose clip \varnothing 47 - \varnothing 67	28 02 115	2	
32	Pump hose \varnothing 50 x 8 x 200	40 02 006		per metre
33	Bottom distributor cpl.	65000199		Part made to order only!
34	Spring washer B 8	23 03 301		
35	Supporting plate for gear motor	65000246		
36	Revers. motor 0,09 kW 220-240/380-420V 50Hz	31 16 021		
n.p.	Reversing motor 0,09 kW 220/380 V 60 Hz	31 16 039		
n.p.	Reversing motor 0,09 kW 240-420 V 50 Hz	31 16 021		
37	Bush \varnothing 20 x 8	65000027		

GR 1321

Waschsystem III oben
Top wash system III
Système de lavage supérieur III



GR 1321

Top wash system III

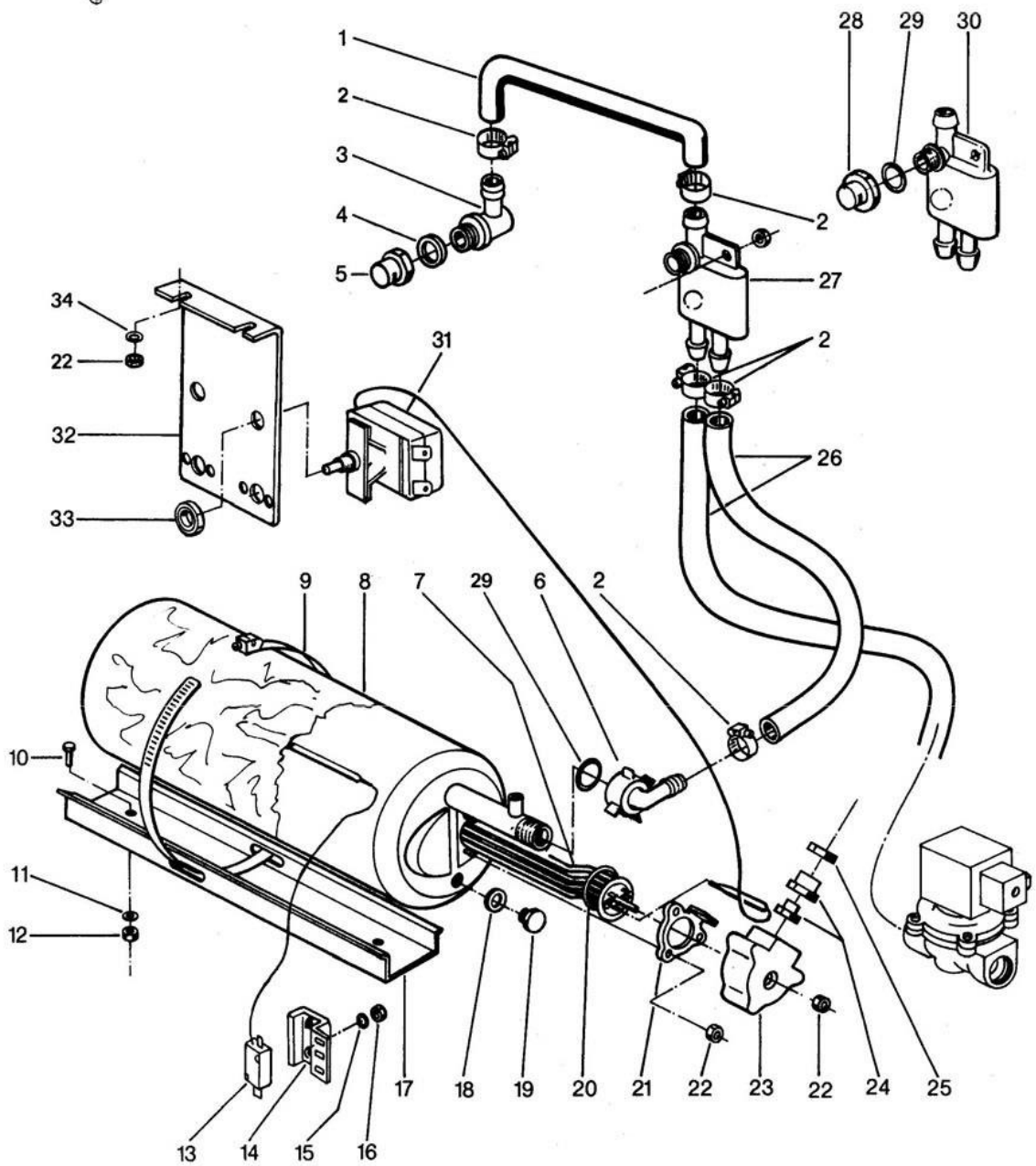
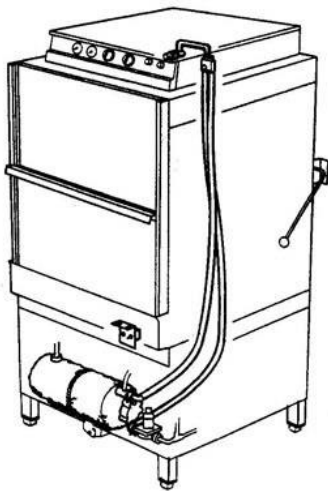
Pos.	Bezeichnung	Teile-Nr.	St.	Bemerkung
1	Sheet-metal screw B 2,9 x 6,5	20 20 308		
2	Guide piece 30 x 30 x 73,5	65002080	4	
3	Wash jet with slot	29 10 511	16	
4	Cap nut for wash jet	29 10 532	16	
5	Top wash arm cpl.	65000195	4	until mach. no. 201 353
6	Wing screw M 6 x 10	20 06 332	4	
7	Bush SW 36 x 40, G 3/4"	35 01 177	4	
8	Seal \varnothing 36 x \varnothing 26 x 2	27 01 003	4	
9	O-ring \varnothing 24 x 3	27 07 066	2	
10	Cap nut G 1 1/4" x 24	35 01 004	4	
11	Distributor elbow G 3/4"	35 01 005	4	
12	Top wash arm cpl.	65002265	4	as from mach. no. 201 269
13	Wash arm head \varnothing 44 x 69	65002079	4	
14	O-ring \varnothing 28 x 2,5	27 07 049		
15	Locking nut \varnothing 38 x 34, G 3/4"	61004059	4	
16	Lock ring \varnothing 49 x 28	61002023	4	
17	Extension G 1 1/4" x 133	35 01 003	2	
18	Seal \varnothing 39 x \varnothing 32 x 2	27 02 001	2	
19	Top distributor part	35 01 017		
20	Hose clip \varnothing 47 - \varnothing 67	28 02 115	4	
21	Hose \varnothing 50 x 8 x 60 lg.	40 02 006		per metre
22	Throttle valve cpl.	55 27 096		
23	Grub-screw M 6 x 8	20 30 304	4	
24	Set collar \varnothing 20 x 30	55 07 044	2	
25	Switch lever support cpl.	55 07 046		Part made to order only!
26	Hexagon nut M 6	21 05 304		self-securing
27	Washer \varnothing 6,4	22 01 302		
28	Locking ring \varnothing 6	23 10 304		
29	Washer \varnothing 8,4	22 01 303		
30	Pulley	65000624	2	
31	Switch lever cpl.	55 07 043		
32	Ball button \varnothing 40, M 8	28 05 012		
33	Hose \varnothing 50 x 8 x 75 lg.	40 02 006		per metre
34	Hub \varnothing 20 x 30	55 07 044		

GR 1321

Nachspülung I

Rinsing I

Rinçage I



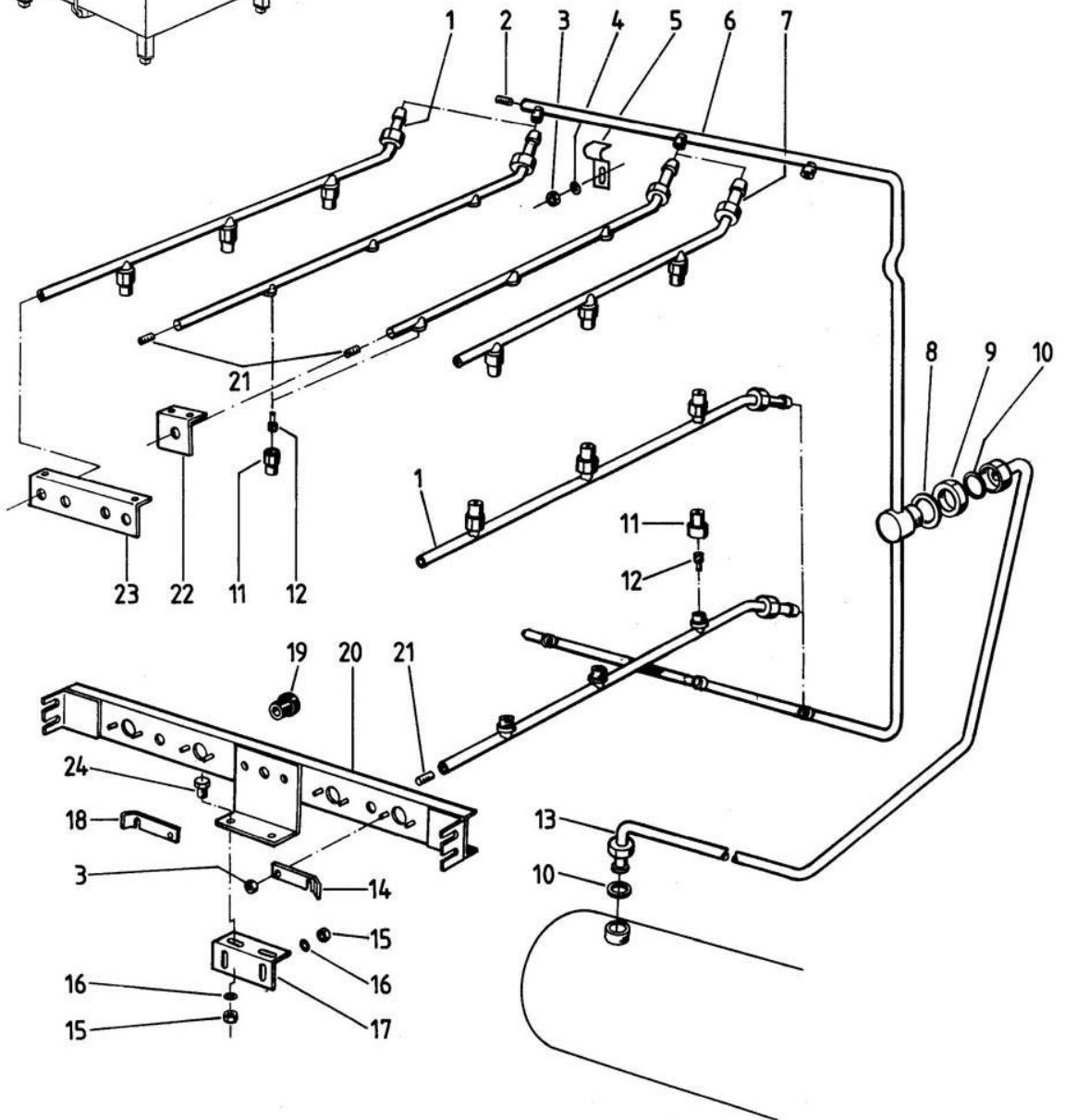
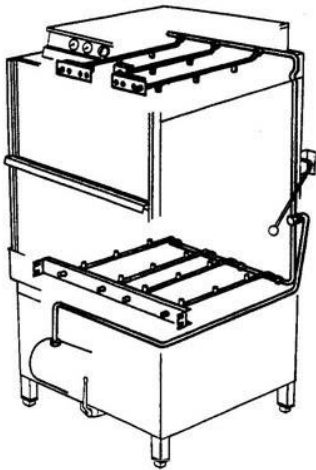
GR 1321

Rinsing I

Pos.	Designation	Part no.	Pc.	Notes	
1	Shaped hose \varnothing 13 x 4 x 140	40 03 053		until mach. no. 201 379	
2	Hose clip \varnothing 14 - \varnothing 24	28 02 108	3		
3	Connection 1/2" BSP x 14,5	55 31 007		consist.of Pos.3,4,5	
4	O-Ring	27 07 031		Until mach.no. 201 379	
o.P.	Thrust - ring	62 002943			new model
o.P.	Seal \varnothing 28 x \varnothing 21 x 2	27 09 011			old model
5	Water inlet 1/2" BSP x \varnothing 26 x 34	61 005339			
6	Angle screwing 3/4" BSP x 18	29 06 515			
7	Heating element cranked 6 kW 3x230/400 V	31 03 017			
n.p.	Heating element cranked 6 kW 240/420 V	31 03 043			
8	Boiler body, 1 hole 480 lg.	55 12 035			
9	Hose clip \varnothing 167 x \varnothing 187	28 02 124			
10	Hexagon bolt M 6 x 16	20 01 306			
11	Spring washer B 6	23 03 300			
12	Hexagon nut M 6	21 01 304			
13	Safety thermostat	31 25 022		until mach. no. 203 410	
14	Support for safety thermostat	62001583			
15	Washer \varnothing 4,3	22 02 302			
16	Hexagon nut M 4	21 05 201		self-securing	
17	Boiler groove 380 lg.	61002039			
18	Seal \varnothing 18 x \varnothing 10 x 1,5	27 03 003			
19	Locking screw M 10 x 14	20 01 352			
20	O-ring \varnothing 46 x 6	27 07 069			
21	Clamping plate cpl.	55 19 018			
22	Hexagon nut M 5	21 05 302		selfsecuring	
23	Cover for heating element	31 03 014			
24	Cable gland PG 13,5	31 10 040			
25	Hexagon nut PG 13,5	31 10 041			
26	Reinforced hose 13,5 x 3,5 x 1800	40 02 029		per metre	
27	Top backflow preventer	35 01 193		until mach. no. 201 379	
28	Deaeration cap 3/8" BSP	61 004545		as from mach. no. 201 380	
29	Seal \varnothing 24 x \varnothing 14 x 2,0	27 01 023			
30	Lateral backflow preventer	35 01 194		as from mach. no. 214 501	
31	Safety thermostat 140°C	31 25 030			
32	Thermostat support	65002459			
33	Hexagon nut M 8	21 01 305			
34	Washer \varnothing 5,3	22 01 300			

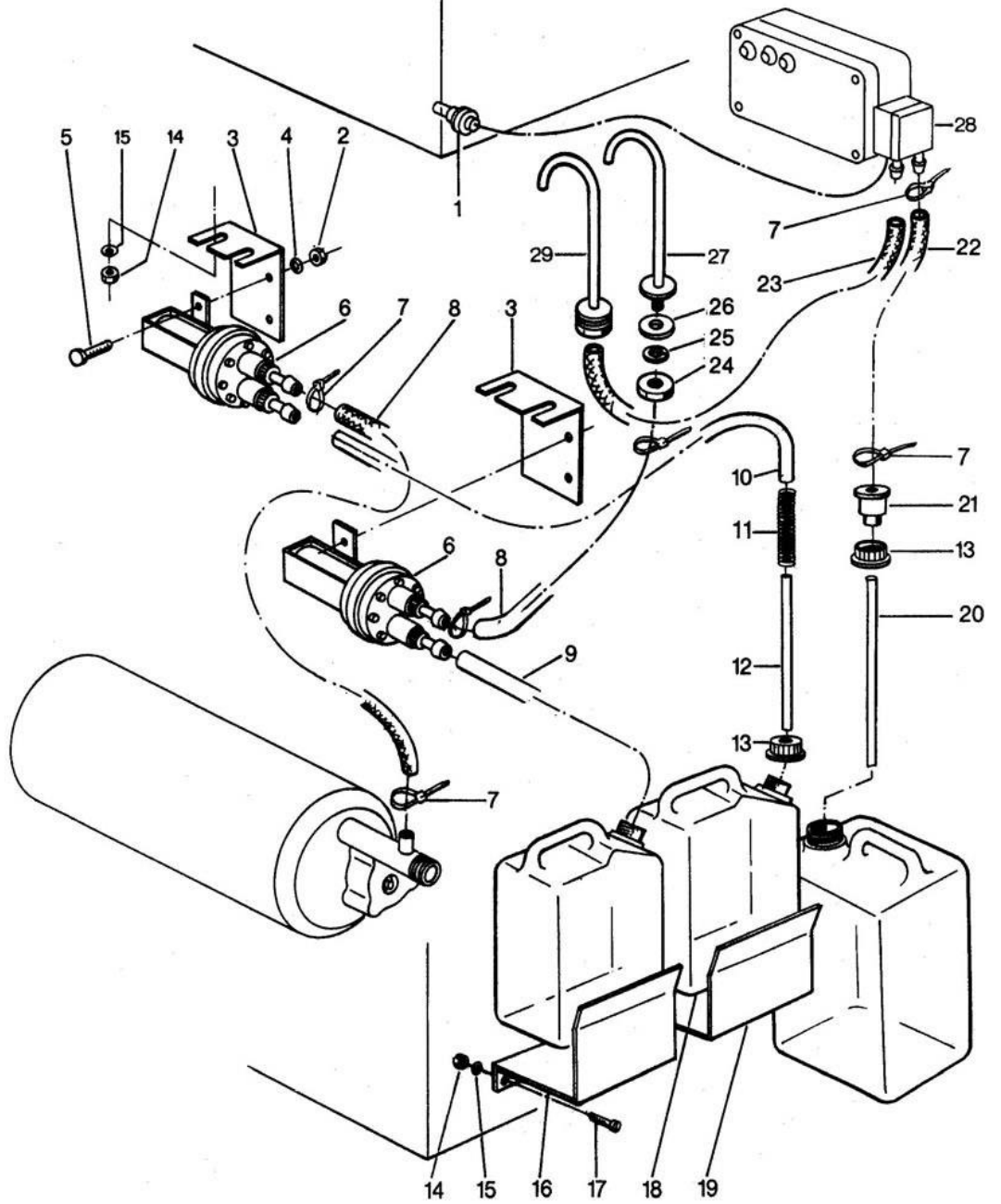
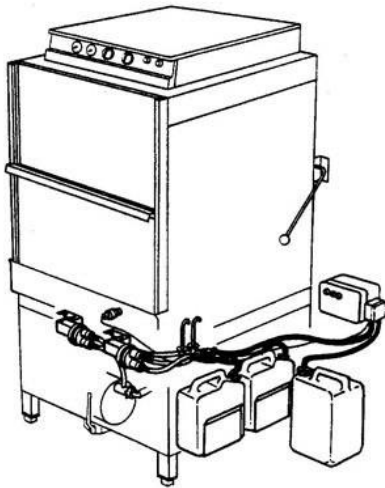
GR 1321

Nachspülung II
Rinsing II
Rinçage II



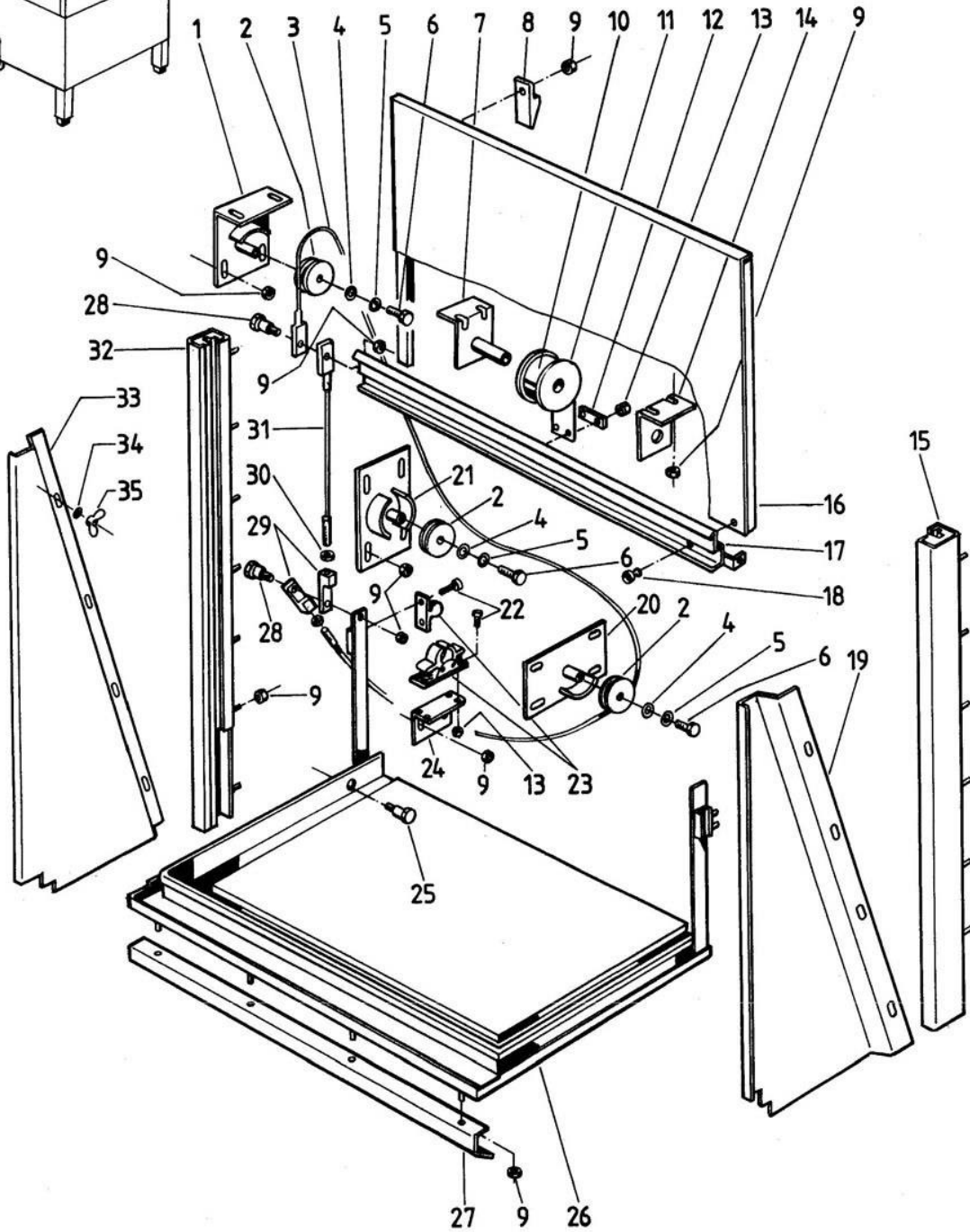
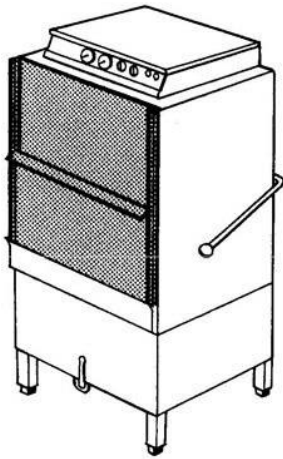
GR 1321

Dosierung
Dosing
Dosage



GR 1321

Türe
Door
Porte



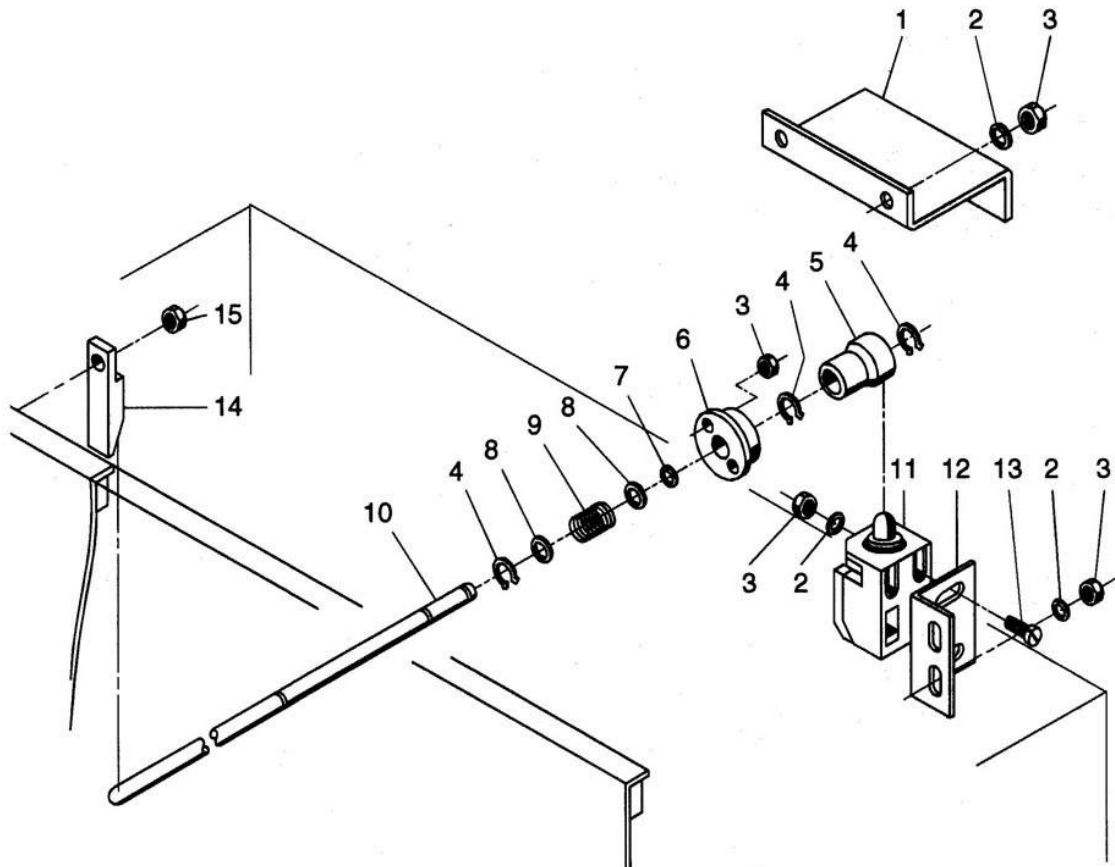
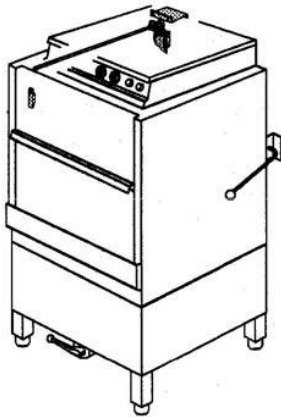
GR 1321

Lifting flap door as from mach. no. 164 851

Pos.	Designation	Part no.	Pc.	Notes
1	Top support cpl.	65001922	2	
2	Rope pulley \varnothing 60 x 14	65001446	6	
3	Wire rope long \varnothing 4 x 1910	65001966	2	
4	Washer \varnothing 8,5 x \varnothing 30 x 2,5	22 01 304		
5	Washer \varnothing 8,4	22 01 303		
6	Hexagon screw M 8 x 10	20 01 315		
7	Spring bracket cpl.	65000406		
8	Stopping wedge	65001971		
9	Hexagon nut M 6	21 05 304		self-securing
10	Roller spring	28 04 024		
11	Pulley \varnothing 90 x 24	35 01 160	2	
12	Clamping plate	65000417		
13	Hexagon nut M 4	21 05 300		self-securing
14	Bearer angle	65000414		
15	Door guide right cpl.	55 15 160		Part made to order only!
16	Lifting door cpl.	65001502		
17	Insert rail cpl.	65001516		
18	Push-button buffer	40 06 015		
19	Right panel	65001930		Part made to order only!
20	Bottom support cpl.	65001928	2	
21	Support cpl.	65001926	2	Part made to order only!
22	Pan head screw M 4 x 12	20 10 312		
23	Door catch	55 15 128		
24	Angle for door catch left	65001900		
25	Bearing bolt	65001537	2	
26	Flap door cpl.	65002219		incl. pos. 27 Part made to order only!
27	Door handle	65001535		Part made to order only!
28	Bearing bolt	65001970	4	
29	Adjusting button	65001967	4	
30	Hexagon nut M 8	21 05 306		
31	Wire rope short \varnothing 4 x 492	65001973	2	
32	Door guide left cpl.	55 15 159		Part made to order only!
33	Left panel	65001931		Part made to order only!
34	Washer \varnothing 5,3	22 01 300		
35	Wing nut M 5	21 15 305		

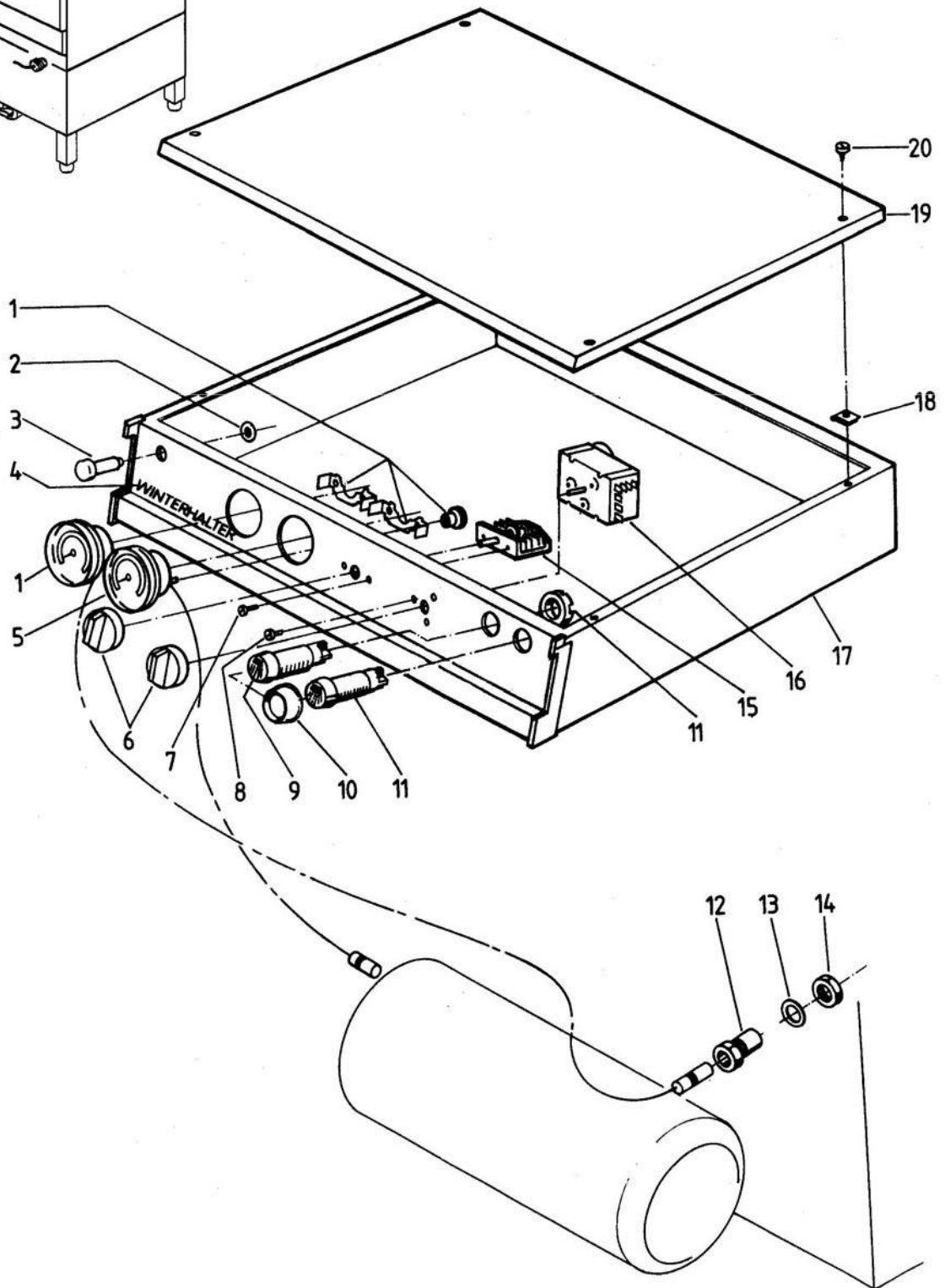
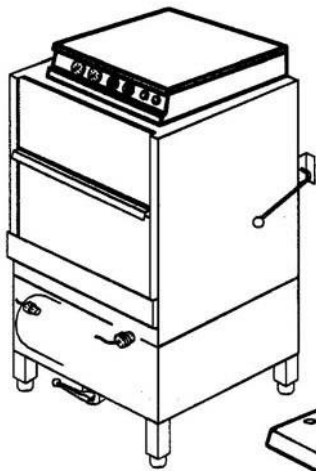
GR 1321

Türendschalter
Door limit switch
Contact de porte



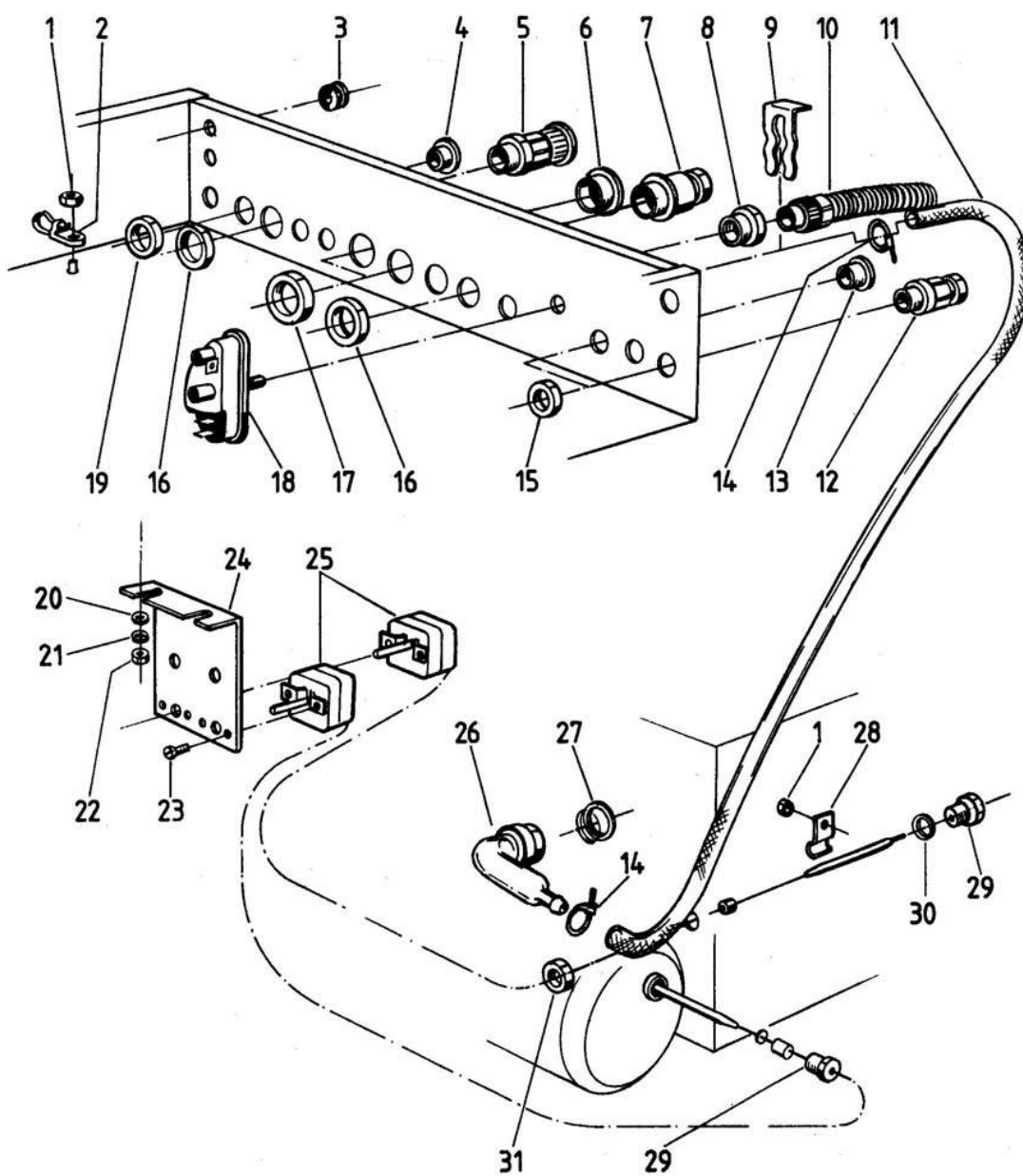
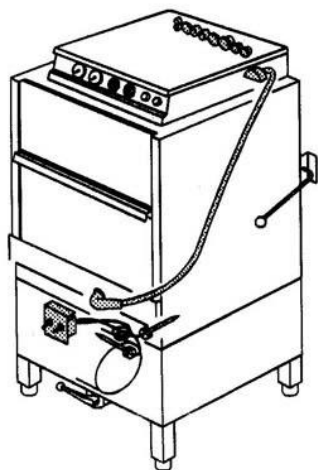
GR 1321

Elektroteile I Electrical parts I Matériel électrique I



GR 1321

Elektroteile II Electrical parts II Matériel électrique II



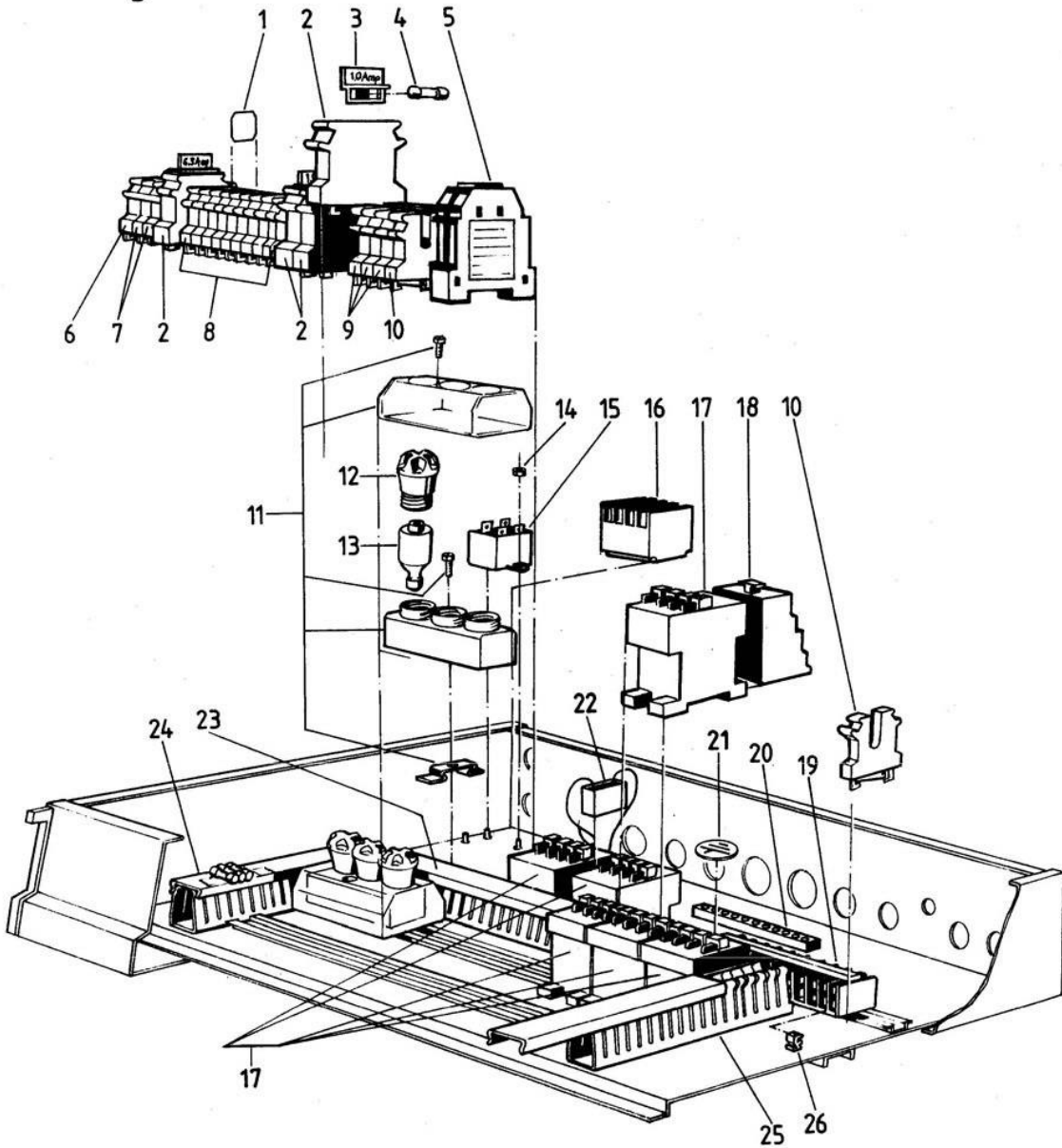
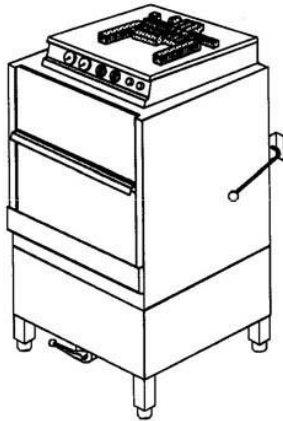
GR 1321

Electrical parts II

Pos.	Designation	Part no.		Notes
1	Hexagon nut M 4	21 05 300		self-securing
2	Hose clip 172 x 4,6	31 20 008		
3	Wire protecting sleeve	31 10 105	2	
4	Locking screw PG 16	31 10 025		
5	Cable gland PG 21	31 10 070		
6	Locking screw PG 29	31 10 026		
7	Cable gland PG 16	31 10 049		
8	Reduction 21/16	31 10 090	3	
n.p.	Reduction 29/21	31 10 091		
9	Friction spring for level switch	31 26 001		
10	Wiring loom	31 23 069		Control ,Part made to order only!
n.p.	Wiring loom	31 23 068		rotary current,Part made to order only!
11	Hose \varnothing 5 x 1,5 x 1850	40 01 024		per metre
12	Cable gland PG 9	31 10 042	4	
13	Locking screw PG 9	31 10 021	4	
14	Hose clip 8 - \varnothing 12	28 02 348	2	
15	Hexagon nut PG 9	31 10 043	8	
16	Hexagon nut PG 21	31 10 071		
17	Hexagon nut PG 29	31 10 047	3	
18	Level switch 160/80	80003155		
19	Hexagon nut PG 16	31 10 110		
20	Washer \varnothing 12 x \varnothing 5,3 x 0,8	22 02 213		
21	Spring washer B 8	23 03 301		
22	Hexagon nut M 5	21 05 302		self-securing
23	Lens head screw M 4 x 5	20 10 309		
24	Thermostat support	65002459		
25	Thermostat 1750 lg.	31 25 013		Tank
	Thermostat 2100 lg.	31 25 015		Boiler
26	Air chamber cpl.	55 04 024		
27	Seal \varnothing 36 x \varnothing 26 x 2	27 01 003		
28	Thermostat clip	55 19 011		
29	Gland for thermostat	31 25 001		
30	Seal 20 x \varnothing 14,2 x 2,0	27 09 036		
31	Hexagon nut M 14 x 1,5	31 25 002		

GR 1321

Elektroteile III Electrical parts III Matériel électrique III



GR 1321

Electrical parts III

Pos.	Designation	Part no.		Notes
1	Isolating disk	31 09 066	2	
2	Universal fuse terminal	31 09 063	4	
3	Two-pin fuse bridge	31 09 072	4	
4	Fuse 250 V / 1 A	31 11 039	5	
n.p.	Fuse 250 V, 6,3 A	31 11 043	2	
5	Time relay 1,5 - 30 s	31 04 083		for slow start
6	Universal terminal yellow/green	31 09 059		
7	Universal terminal blue	31 09 058		
8	Universal terminal grey	31 09 057	10	
9	Universal terminal grey	31 09 049	3	
10	Earth wire terminal block yellow/green	31 09 064	2	
11	Fuse element	31 11 050	2	
12	Fuse carrier with inspection hole	31 11 090	6	
13	Fuse 16 A	31 11 084	6	
14	Hexagon nut M 4	21 05 300		self-securing
15	Radio interference suppression capacitor 3x0,47 µF	31 13 072		
16	Mini contactor 230-265 V, 50 Hz	31 04 068		
17	Contactor 220-255 V, 50-60 Hz, B 16	31 04 162	4	
18	Overload relay 7,5 - 11 A	31 04 193		
19	Band terminal 21-fold	55 19 074		
20	Earth wire terminal SZ-KLB 12	31 09 094		
21	Plate - equipotential bonding	31 09 150		
22	RC-member 0,27 µF	61002141		
23	Cable trunking 46 x 65 x 400 lg.	31 20 104		per metre
24	Cable trunking 46 x 65 x 290 lg.	31 20 104		
25	Cable trunking 30 x 65 x 290 lg.	31 20 103		
26	Staples	31 09 012	6	
n.p.	Contactor B 9	31 04 161	2	